

# NEO™ 140/190 Undercounter Ice Machines

50Hz  UR-0140A  UD-0140A  UY-0140A  
 UD-0190A  UY-0190A



U-140 / 190 Undercounter Ice Machine



## NEO is a new level of Performance, Intelligence and Convenience

- Industry Leading Performance
- Interactive, Easy-to-use Keypad
- Delay Ice Production for 4, 12, or 24 Hours
- Patented Easy Clean Technology
- Tool-Free Foodzone
- Corrosion & Finger Print Resistant Composite Exterior
- Modular Design for Simple Service
- Available Luminice® II Growth Inhibitor

**HALF DICE** .95 x 2.86 x 2.22 cm  
 = 100% 5.7g

**DICE** 2.22 x 2.22 x 2.22 cm  
 = 100% 8.5g

**REGULAR** 2.86 x 2.86 x 2.22 cm  
 = 100% 14.2g

COMPANY WITH  
 QUALITY SYSTEM  
 CERTIFIED BY DNV  
 = ISO 9001:2008 =



Manitowoc Deutschland GmbH  
 Auf der Weih 11  
 35745 Herborn  
 Germany  
 Tel: 0 27 72 - 5805 0  
 Fax: 0 27 72 - 5805 70  
 E-mail: [info@manitowoc-de.com](mailto:info@manitowoc-de.com)  
[www.manitowoc-de.com](http://www.manitowoc-de.com)

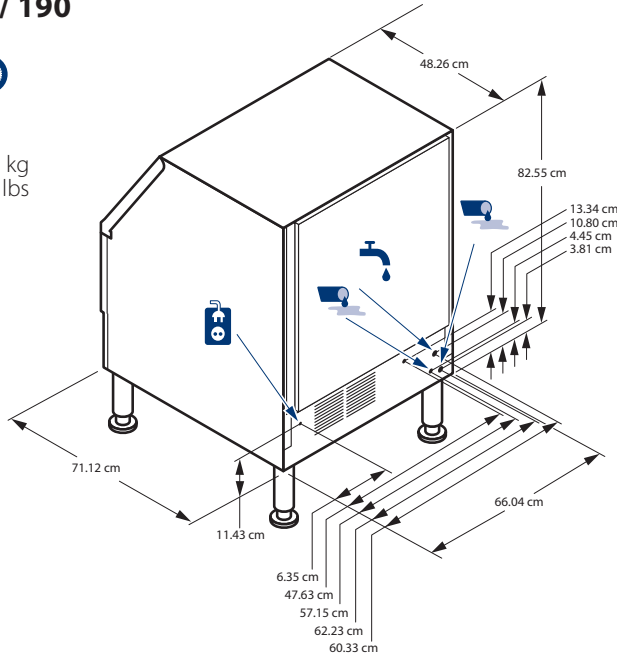
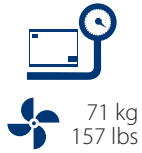
Manitowoc Foodservice Iberia, S.A.U.  
 C/ Textil, 6 Pol. Ind. La Ferreria  
 08110 Montcada i Reixac Barcelona  
 Barcelona Spain  
 Tel: (+34) 902 20 10 69  
 Fax: (+34) 93 348 15 09  
 E-mail: [info@manitowocfsi.es](mailto:info@manitowocfsi.es)  
[www.manitowocfsi.es](http://www.manitowocfsi.es)

Manitowoc Foodservice UK Limited  
 Ashbourne House,  
 The Guildway, Old Portsmouth Road  
 Guildford GU31 1LR  
 United Kingdom  
 Tel: +44 (0) 1483 464 972  
 Fax: +44 (0) 8453 011 462  
 E-mail: [fsuk.sales@manitowoc.com](mailto:fsuk.sales@manitowoc.com)  
[www.manitowocfoodservice.com/uk](http://www.manitowocfoodservice.com/uk)

Manitowoc EMEA  
[www.manitowocice.com/emea](http://www.manitowocice.com/emea)  
 Manitowoc China  
[www.manitowoc.com.cn](http://www.manitowoc.com.cn)  
 Manitowoc Latin America  
[www.manitowoclatam.com](http://www.manitowoclatam.com)



### U-140 / 190



Minimum		Maximum
4.4°C 40°F		43.3°C 110°F
7.2°C 45°F		32.2°C 90°F
20psi 138 kPA		80psi 551 kPA
U-140-25 U-190-30	<b>A</b>	
		15 Amps

Unit	Compressor	Ice	24h		[kWh] – 100 kg	Water	
			21°/10°C 70°/50°F	32°/21°C 90°/70°F		[l/h]	[gal/h]
UR-0140A			56 kg 124 lbs	40 kg 88 lbs	23.8	3.2	0.9
UD-0140A			57 kg 127 lbs	41 kg 90 lbs	23.8	3.5	0.9
UY-0140A			57 kg 127 lbs	41 kg 90 lbs	22.5	3.5	0.9
UD-0190A			79 kg 175 lbs	60 kg 132 lbs	17.4	5.0	1.3
UY-0190A			79 kg 175 lbs	60 kg 132 lbs	17.4	4.5	1.2

\*Add "E" for WRAS approved models (ie. UR0140AE). WRAS models not NSF listed.

This product is hermetically sealed and contains fluorinated greenhouse gas R404a

**Manitowoc Deutschland GmbH**  
Auf der Weih 11  
35745 Herborn  
Germany  
Tel: 0 27 72 - 5805 0  
Fax: 0 27 72 - 5805 70  
E-mail: info@manitowoc-de.com  
www.manitowoc-de.com

**Manitowoc Foodservice Iberia, S.A.U.**  
C/ Textil, 6 Pol. Ind. La Ferreria  
08110 Montcada i Reixac Barcelona  
Barcelona Spain  
Tel: (+34) 902 20 10 69  
Fax: (+34) 93 348 15 09  
E-mail: info@manitowocfsi.es  
www.manitowocfsi.es

**Manitowoc Foodservice UK Limited**  
Ashbourne House,  
The Guildway, Old Portsmouth Road  
Guildford GU31 1LR  
United Kingdom  
Tel: +44 (0) 1483 464 972  
Fax: +44 (0) 8453 011 462  
E-mail: fsuk.sales@manitowoc.com  
www.manitowocfoodservice.com/uk

**Manitowoc EMEA**  
www.manitowocemea.com/emea  
**Manitowoc China**  
www.manitowoc.com.cn  
**Manitowoc Latin America**  
www.manitowoclatam.com